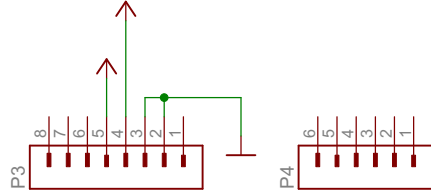
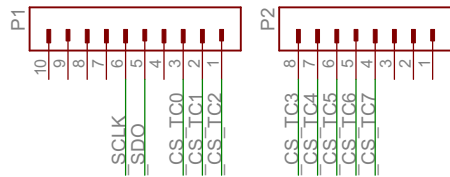
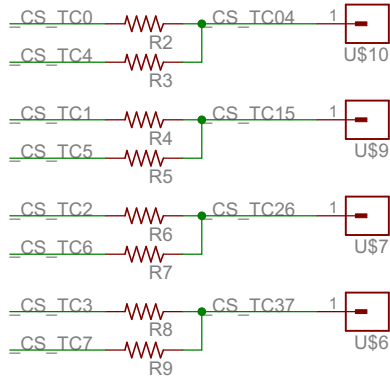


4-Channel Maxim-IC MAX31855 Cold-Junction Compensated Thermocouple-to-Digital Converter Arduino Uno Shield

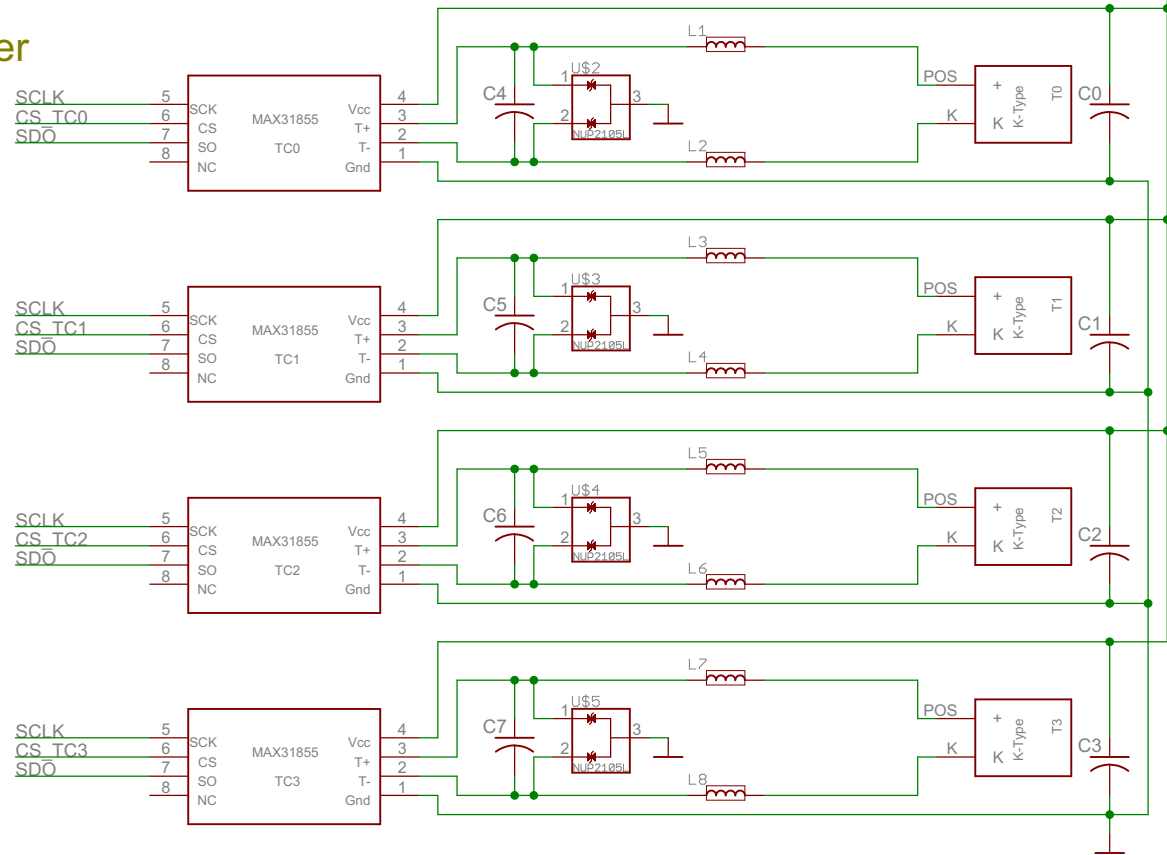
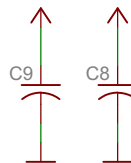
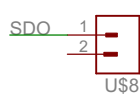
Arduino Headers



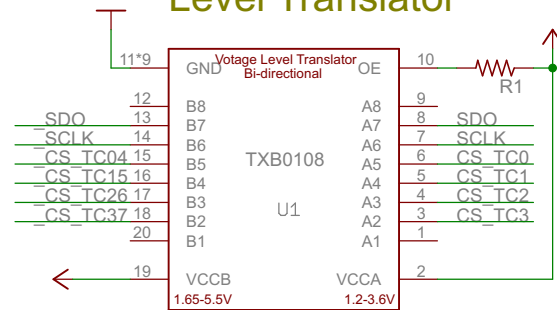
Jumpers... choose ch
0-3 or 4-7 pin selects



SDO Cascade Pin



Level Translator



Playing With Fusion, Inc. PWF

TITLE: SEN-30004_R01_DIMS

CREATOR: J. Steinlage

REVISION: 02

DATE: not saved!

SHEET: 1/1

LAST MODIFIED BY: J. Steinlage