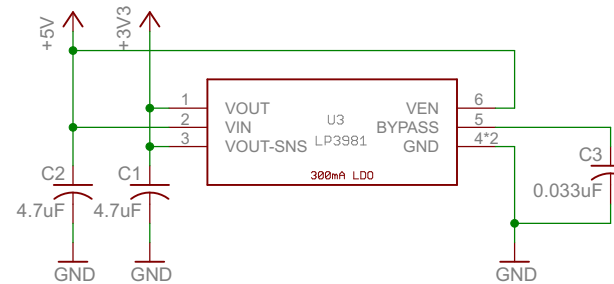
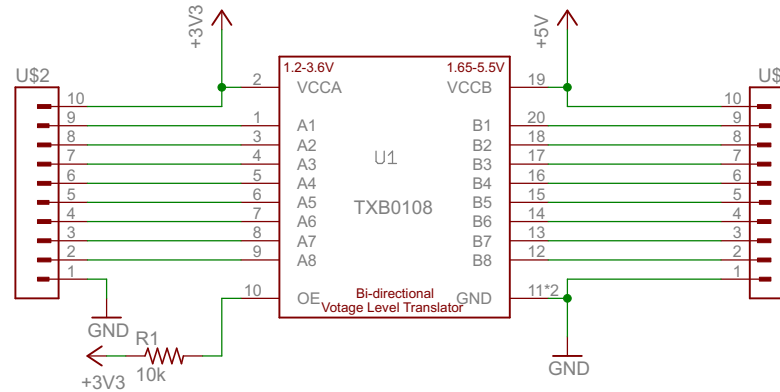


# TXB0108 Breakout with LDO 8-Ch Bidirectional Voltage Level Shifter with 3.3V LDO

## Notes:

- 1) Supply VccB with between 3.6 and 5.5V  
-> TXB0108 has the lower Vmax
- 2) VccA will be supplied at 3.3V at up to 300mA



S01 S02

Playing With Fusion, Inc. PWF

TITLE: TXB0108\_with\_LDO\_Breakout\_R00

CREATOR: J. Steinlage

REVISION: 00

DATE: 11/13/2013 10:27:09 PM

SHEET: 1/1

LAST MODIFIED BY: J. Steinlage

Released under the MIT license.

<http://www.opensource.org/licenses/mit-license.php>